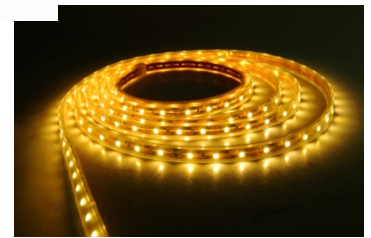


FIDES Roller Wheel Profile RGB + WW LED Strips

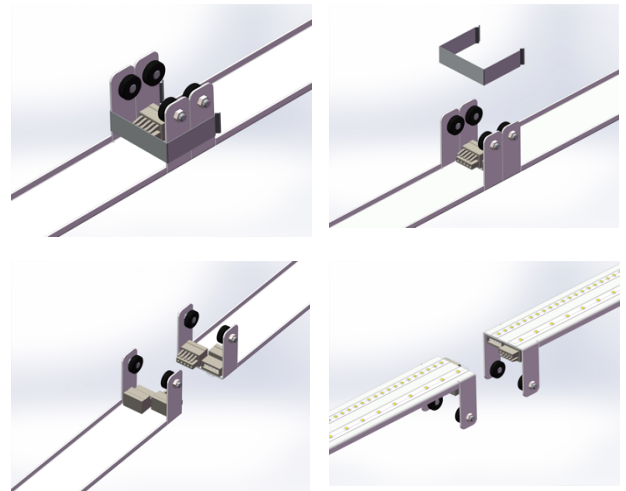
RGB LED Strip Specifications :

- LED Packaging : 5050
- Luminaire Power Consumption : 14.4W/m max
- Input Voltage : 24Vdc
- Control Options : DMX via UD
- Beam Angle : 120°
- LEDS/m : 60pcs
- IP65 with Silica Gel
- Wide : 10mm x 2.4mm
- Lifetime : 50,000 hours (LM-80)



WW LED Strip Specifications :

- LED Packaging : 2835
- Luminaire Power Consumption : 14.4W/m max
- Efficacy : 100-125Lm/W
- Input Voltage : 48Vdc
- Color Temperature : 3000K
- Dimmable Options : DMX / Dali / 0-10V / Push / Phase via UD
- CRI : >80
- Beam Angle : 120°
- LEDS/m : 120pcs
- IP65 with Silica Gel
- Wide : 8mm x 2.4mm
- Lifetime : 50,000 hours (LM-80)



Profile Specifications :

- Profile Dimension : 1200 x 70 x 52mm
- Material : 1mm AluZinc
- Roller wheels to travail existing tracks
- Connected via WAGO 5-pole connectors between fixtures; dual bus for 1+1 redundancy
- High tensile steel clip for fail-safe connection between fixtures
- UL94-V0 Diffuser for fire safety

